

# BAKFlip

BEST-SELLING HARD FOLDING COVER

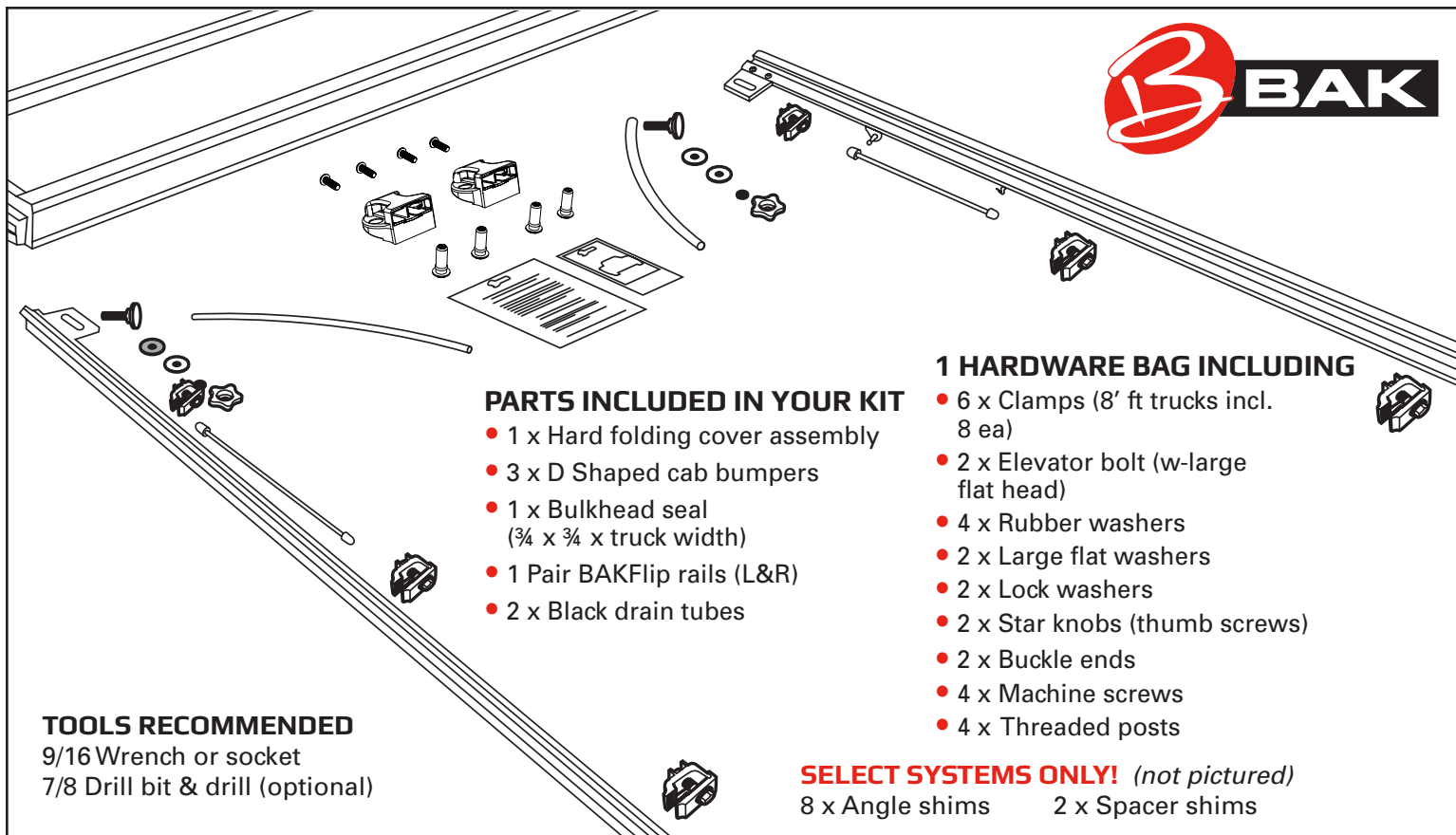
G2 VP HD F1 FIBER MAX MX4

## INSTALLATION SHEET

**Any damaged or missing parts?**

Parts will be shipped to you directly. Call 844-779-8986

Mon - Fri 5:30 am - 4 pm Pacific Time



### PARTS INCLUDED IN YOUR KIT

- 1 x Hard folding cover assembly
- 3 x D Shaped cab bumpers
- 1 x Bulkhead seal (¾ x ¾ x truck width)
- 1 Pair BAKFlip rails (L&R)
- 2 x Black drain tubes

### 1 HARDWARE BAG INCLUDING

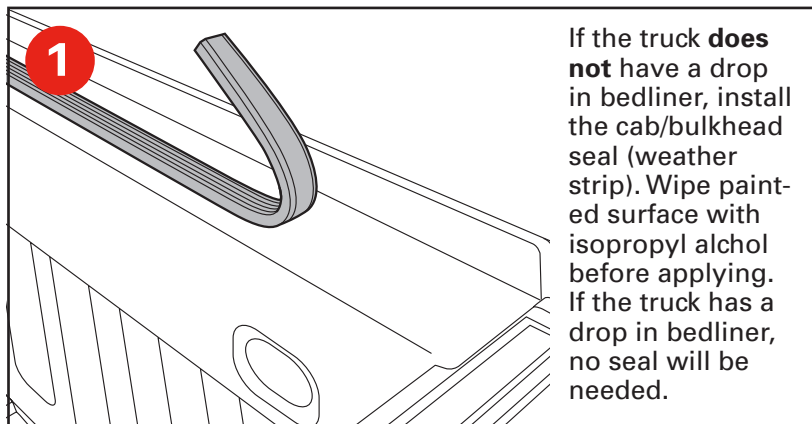
- 6 x Clamps (8' ft trucks incl. 8 ea)
- 2 x Elevator bolt (w-large flat head)
- 4 x Rubber washers
- 2 x Large flat washers
- 2 x Lock washers
- 2 x Star knobs (thumb screws)
- 2 x Buckle ends
- 4 x Machine screws
- 4 x Threaded posts

### TOOLS RECOMMENDED

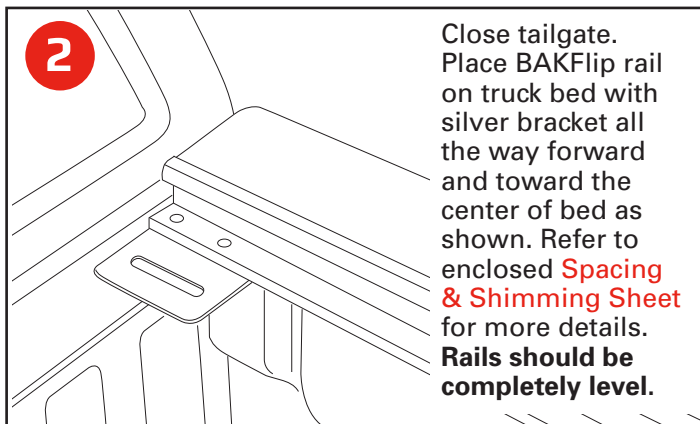
- 9/16 Wrench or socket
- 7/8 Drill bit & drill (optional)

### SELECT SYSTEMS ONLY! (not pictured)

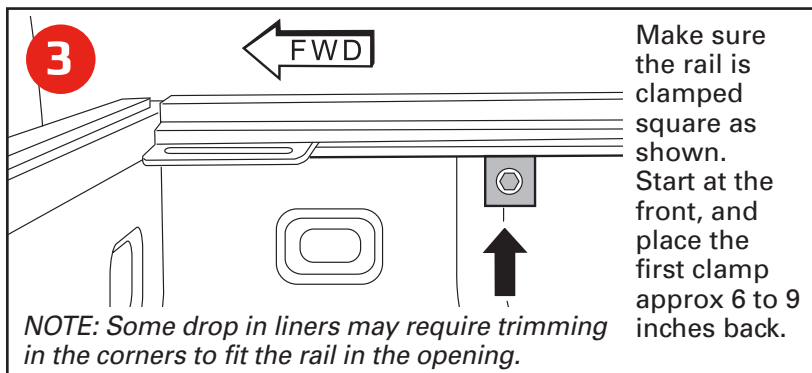
- 8 x Angle shims
- 2 x Spacer shims



**1** If the truck **does not** have a drop in bedliner, install the cab/bulkhead seal (weather strip). Wipe painted surface with isopropyl alcohol before applying. If the truck has a drop in bedliner, no seal will be needed.

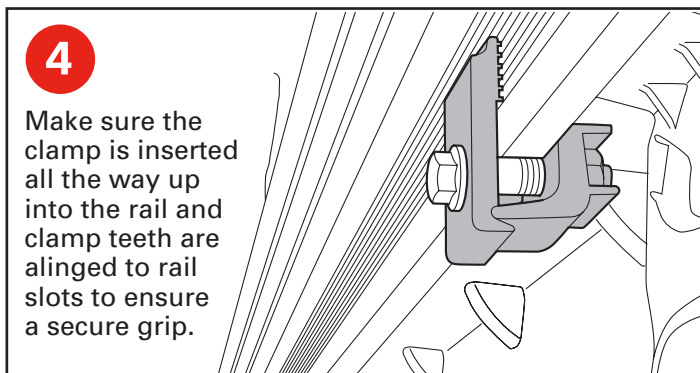


**2** Close tailgate. Place BAKFlip rail on truck bed with silver bracket all the way forward and toward the center of bed as shown. Refer to enclosed **Spacing & Shimming Sheet** for more details. **Rails should be completely level.**

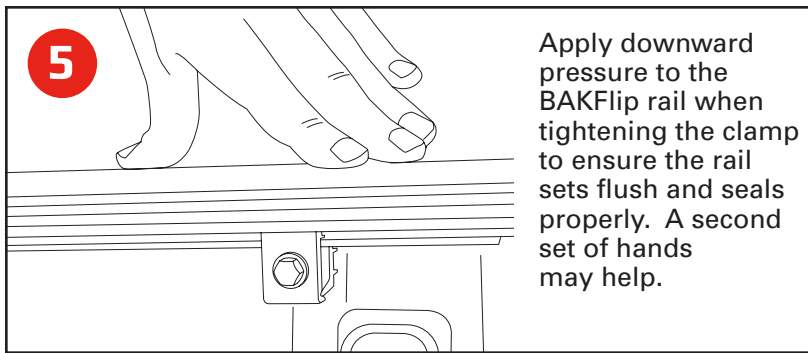


**3** Make sure the rail is clamped square as shown. Start at the front, and place the first clamp approx 6 to 9 inches back.

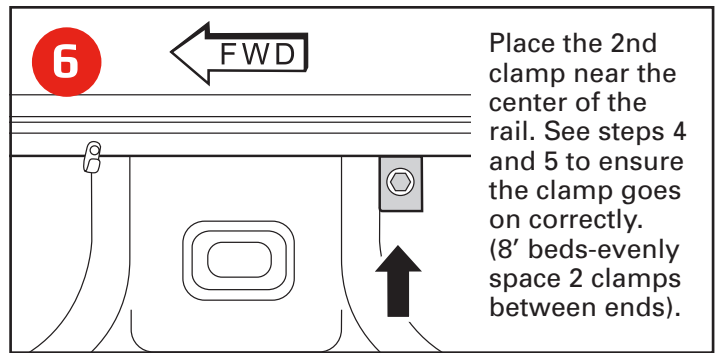
*NOTE: Some drop in liners may require trimming in the corners to fit the rail in the opening.*



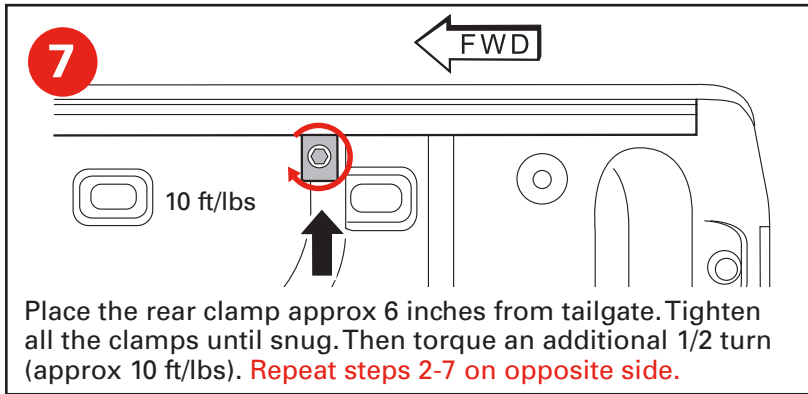
**4** Make sure the clamp is inserted all the way up into the rail and clamp teeth are aligned to rail slots to ensure a secure grip.



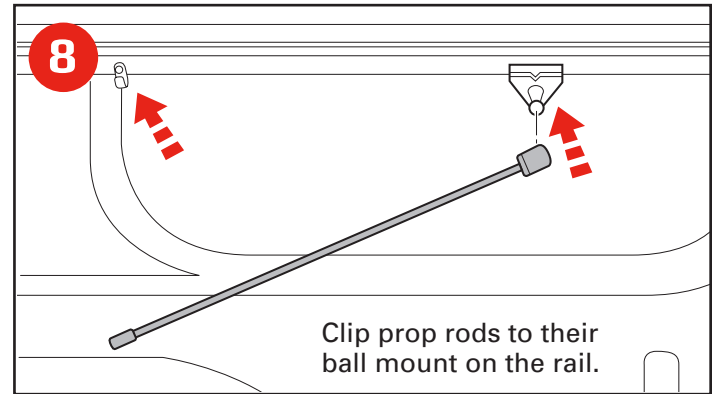
**5** Apply downward pressure to the BAKFlip rail when tightening the clamp to ensure the rail sets flush and seals properly. A second set of hands may help.



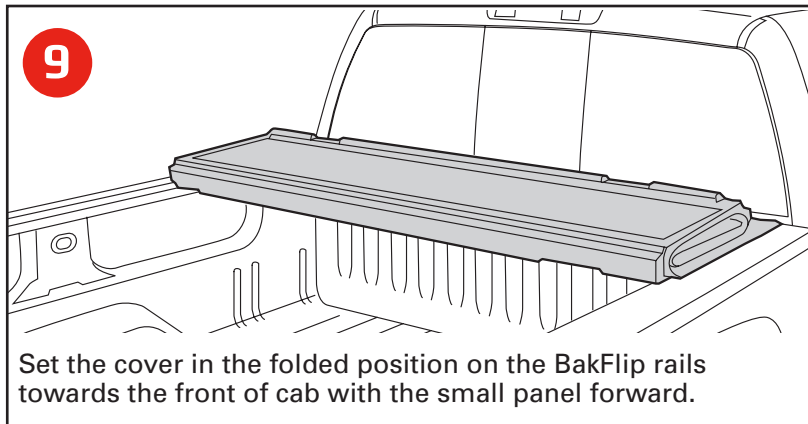
**6** Place the 2nd clamp near the center of the rail. See steps 4 and 5 to ensure the clamp goes on correctly. (8' beds-evenly space 2 clamps between ends).



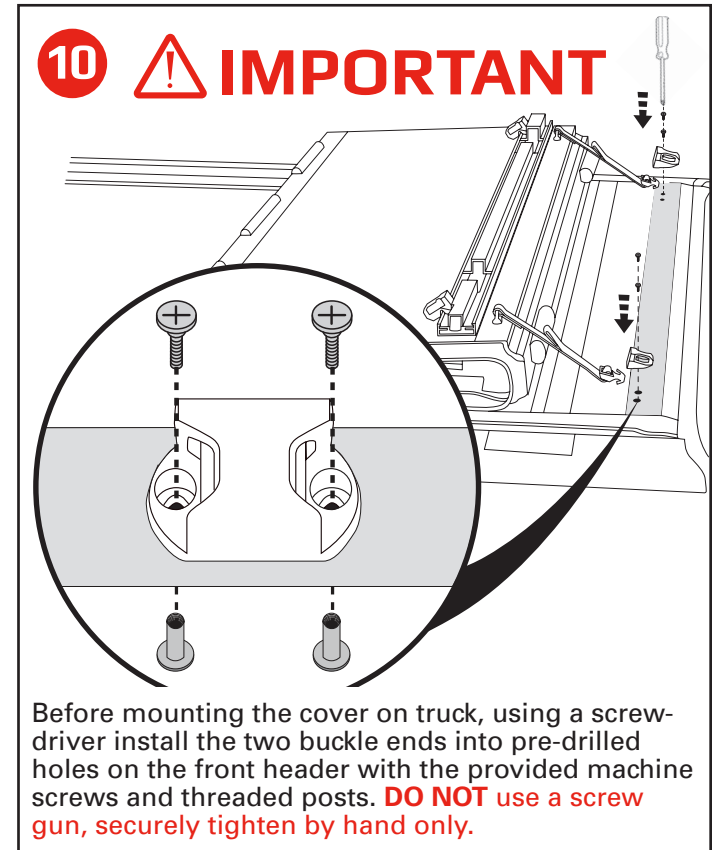
**7** Place the rear clamp approx 6 inches from tailgate. Tighten all the clamps until snug. Then torque an additional 1/2 turn (approx 10 ft/lbs). Repeat steps 2-7 on opposite side.



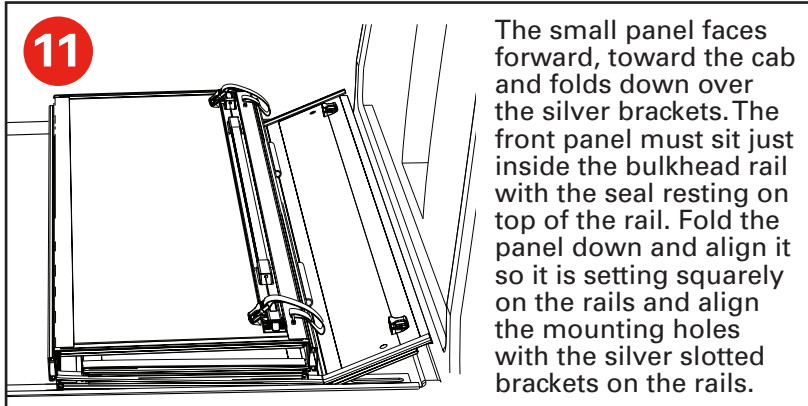
**8** Clip prop rods to their ball mount on the rail.



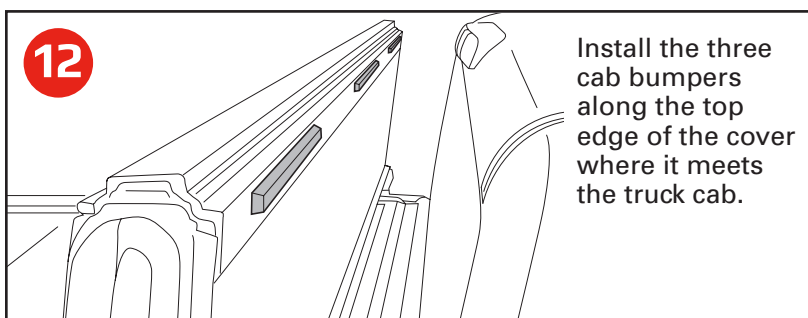
**9** Set the cover in the folded position on the BakFlip rails towards the front of cab with the small panel forward.



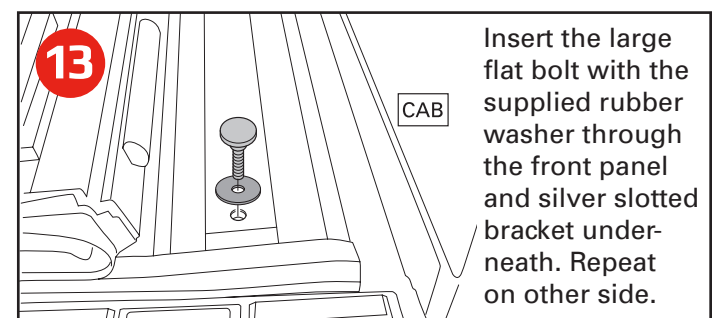
**10** Before mounting the cover on truck, using a screwdriver install the two buckle ends into pre-drilled holes on the front header with the provided machine screws and threaded posts. **DO NOT** use a screw gun, securely tighten by hand only.



**11** The small panel faces forward, toward the cab and folds down over the silver brackets. The front panel must sit just inside the bulkhead rail with the seal resting on top of the rail. Fold the panel down and align it so it is setting squarely on the rails and align the mounting holes with the silver slotted brackets on the rails.

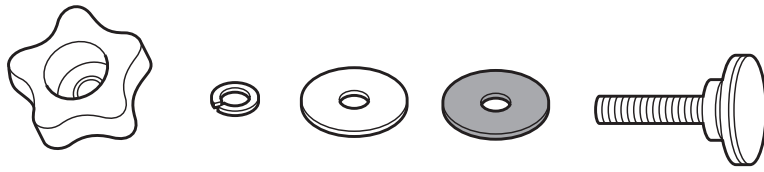


**12** Install the three cab bumpers along the top edge of the cover where it meets the truck cab.



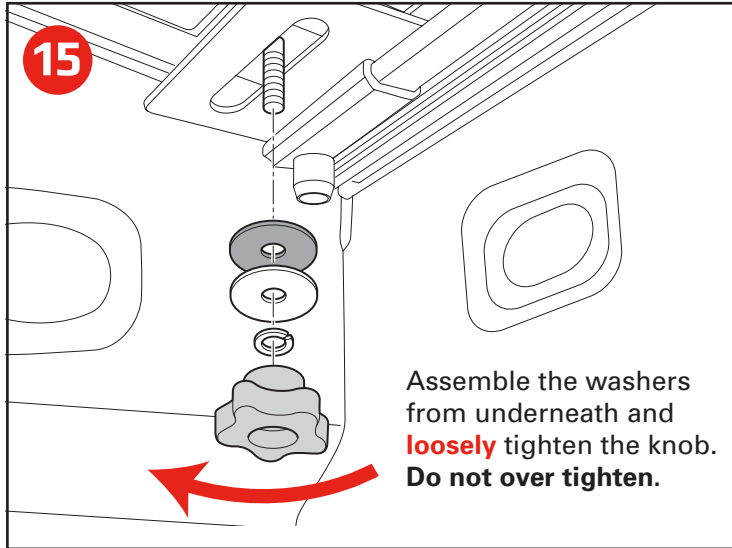
**13** Insert the large flat bolt with the supplied rubber washer through the front panel and silver slotted bracket underneath. Repeat on other side.

14



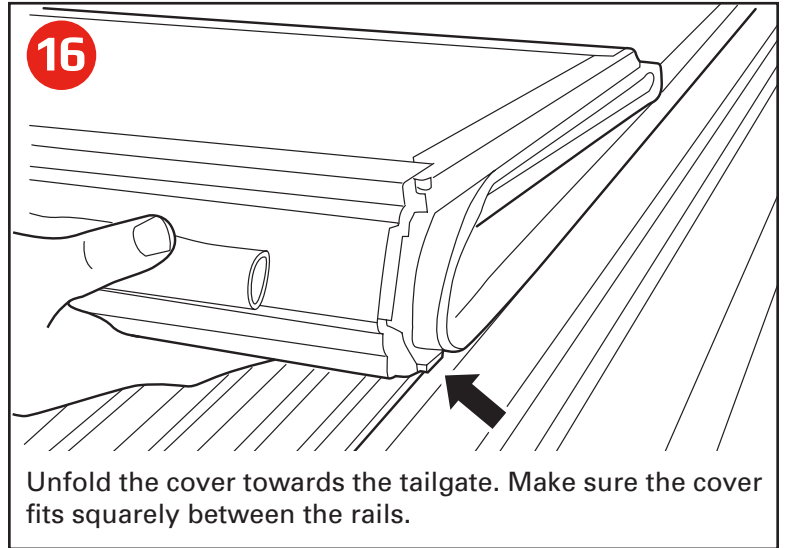
The large flat bolt goes down through the front panel on each side. Underneath the cover, the order of washers is as follows: rubber washer first, then large flat stainless washer, then the lock washer, and finally the 5 star finger knob as shown to the left.

15



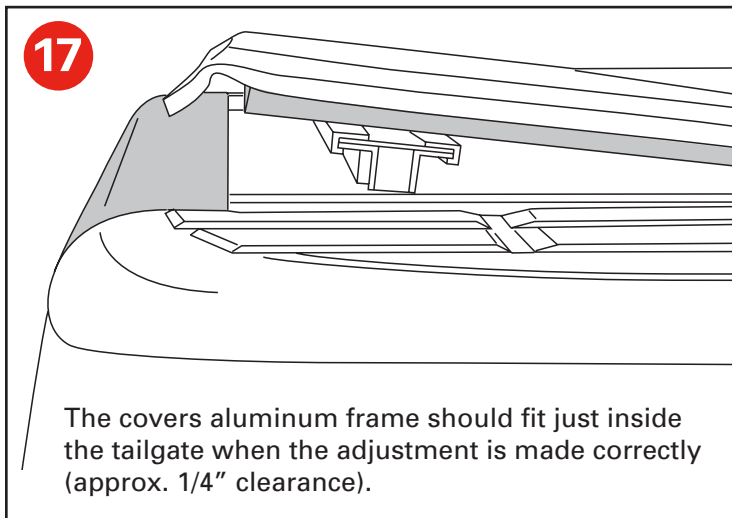
Assemble the washers from underneath and **loosely** tighten the knob. **Do not over tighten.**

16



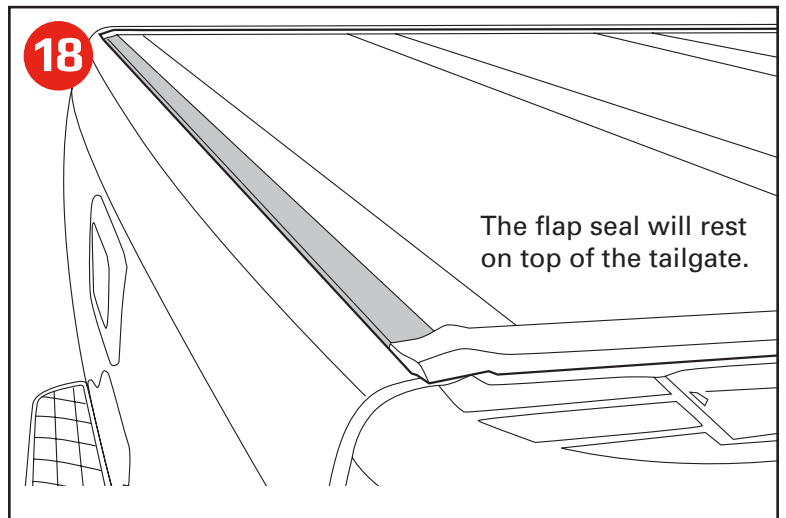
Unfold the cover towards the tailgate. Make sure the cover fits squarely between the rails.

17



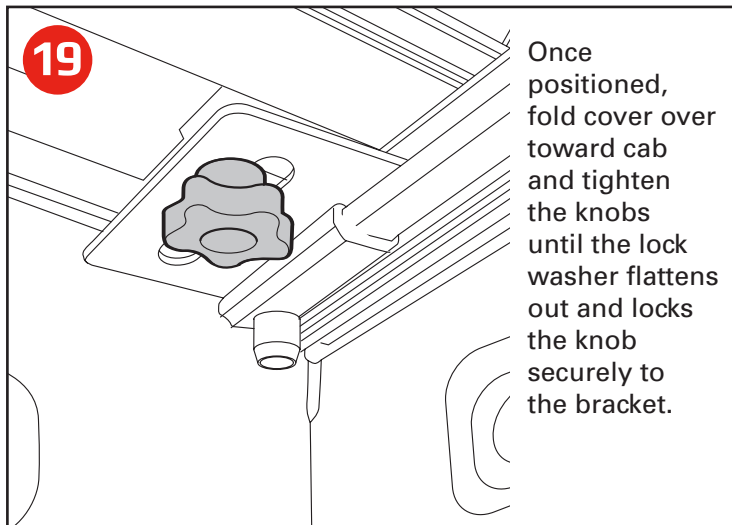
The covers aluminum frame should fit just inside the tailgate when the adjustment is made correctly (approx. 1/4" clearance).

18



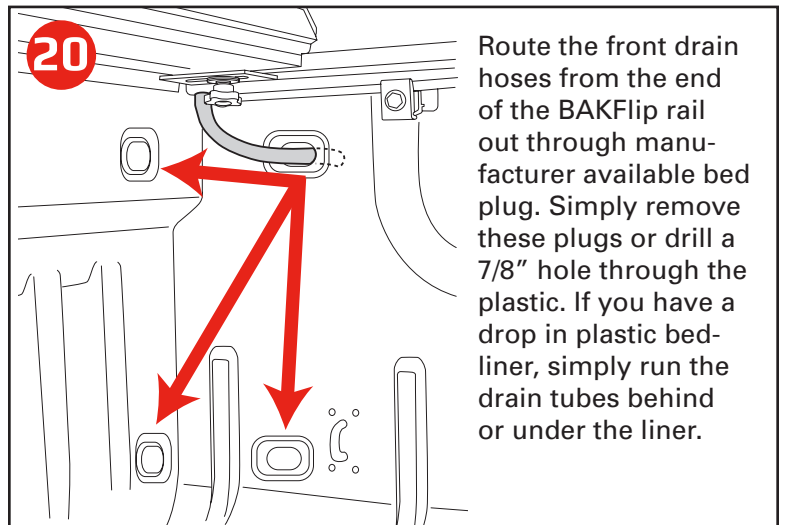
The flap seal will rest on top of the tailgate.

19



Once positioned, fold cover over toward cab and tighten the knobs until the lock washer flattens out and locks the knob securely to the bracket.

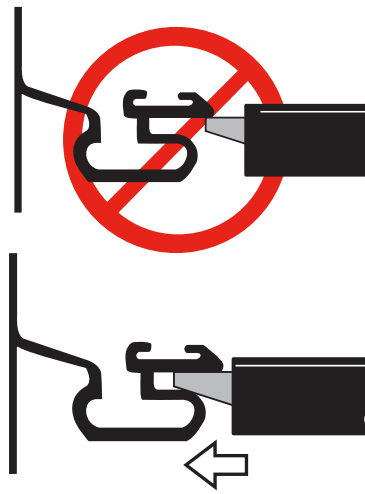
20



Route the front drain hoses from the end of the BAKFlip rail out through manufacturer available bed plug. Simply remove these plugs or drill a 7/8" hole through the plastic. If you have a drop in plastic bed liner, simply run the drain tubes behind or under the liner.

21

Check to see that cover panel latches make proper contact with side rails.



22

Sometimes, your side seals of your BakFlip cover will appear to be wrinkled shortly after initially installing the cover. To assist seals in laying flat you can leave your truck in the sun, or to expedite, just apply heat with a hair dryer or heat gun. See this video for a good look at how it's done.



# IMPORTANT BAKFlip safe operation and use

## IMPORTANT NOTICE

While driving, cover must be completely flat and secure with all latches in the closed position OR completely folded up (all panels) and secured at the cab. **DO NOT DRIVE** with cover partially opened.

## Tonneau Cover Positions While Operating Vehicle

Prior to vehicle operation, tonneau cover **MUST** be properly secured.

### CLOSED POSITION

All panels must be closed and **FULLY LATCHED** to tonneau side rail.  
All panels must be flat and latches engaged

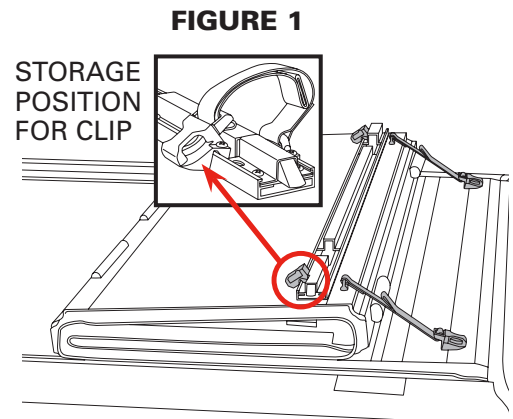
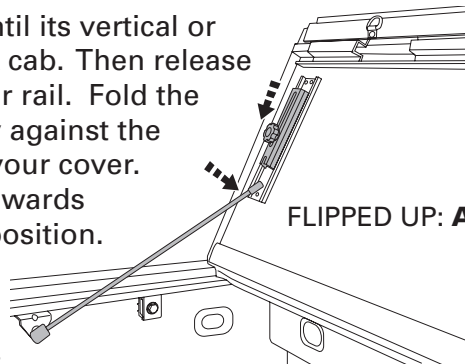
### FOLDED UP POSITION

To drive with your cover in the folded up position, simply make use of the tie down straps and buckles provided with your cover. Ensure **BOTH** buckle clips are fully inserted into the buckle ends located on the front header panel of the cover and adjust the straps to ensure the cover is secure during vehicle operation. The clips should be secured in the storage position, as shown in Figure 1, when not in use.

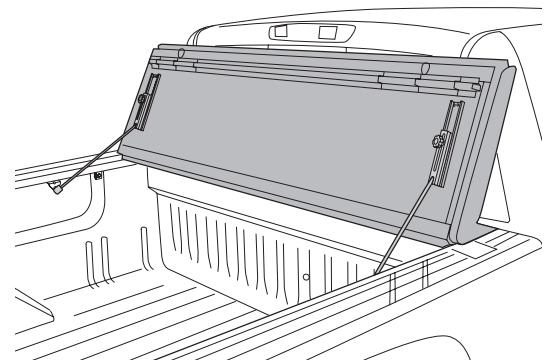
### FLIPPED UP POSITION

**A)** Fold the cover open and lift it until its vertical or past 90 degrees towards your truck cab. Then release the prop rod that is attached to your rail. Fold the prop rod over and position it firmly against the vertical plate on the underside of your cover. Then slide the prop rod locks downwards and tighten the knobs to lock into position. Do this on both sides of the cover.

**B)** Your cover should be firmly in position with little to no movement once the prop rods are locked.



FOLDED UP POSITION



FLIPPED UP: B

## Tail Panel Operation TO CLOSE THE TAILGATE PANEL

■ **WARNING** – to avoid damage, always shut tailgate before closing cover. DO NOT shut your tailgate when the rear panel of your cover is closed.

***EXCEPTION** - BAKFlip MX4 offer's a universal tailgate seal which allows the tailgate to close with the cover up or down.*

## TO RAISE THE TAILGATE PANEL

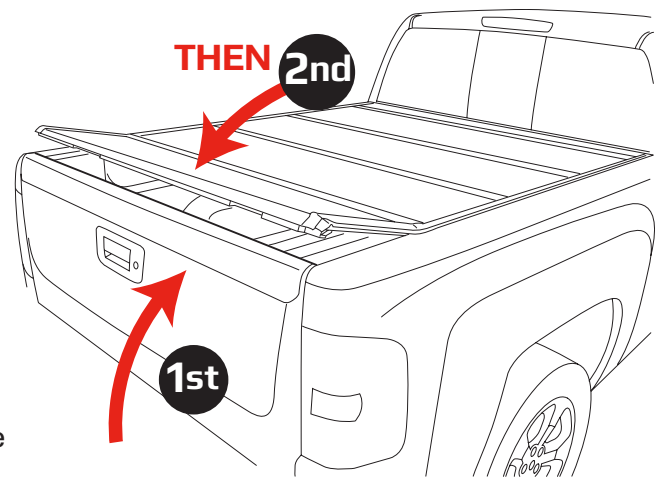
- Open the tailgate and reach under the panel for the cable at the ends of the panel housing.
- Pull down on either cable to release both rear latches with one hand while lifting the panel with the other hand.

**DO NOT ATTEMPT TO DRIVE WITH THE TAIL PANEL IN THE PARTIALLY OPEN POSITION!**

## Additional Important Operating Tips

- Tonneau cover **MUST** be free of foreign material including snow and ice before opening panels.
- Do NOT tow your vehicle from the rear with the tonneau on your truck.
- Do NOT operate vehicle with objects on top of cover.

**FAILURE TO FOLLOW THESE CAUTIONS MAY RESULT IN SEVERE DAMAGE AND WILL VOID YOUR WARRANTY!**



Remove any snow or foreign matter before folding cover.



Do NOT tow your vehicle from the rear with this cover on your truck.

# Warranty

BAK® Industries ("BAK") warrants your BAKFlip Hard Folding Cover to be structurally free from defects in material and workmanship for the period as outlined in the table below from the retail date of purchase. Warranty registration must be on file and/or proof of original purchase (detailed and dated receipt) required for warranty service. Warranty is non-transferable and applies to the original purchaser of the BAK product only.

PRODUCT	WARRANTY PERIOD	<b>REGISTER YOUR WARRANTY NOW AT <a href="http://BAKINDUSTRIES.COM">BAKINDUSTRIES.COM</a></b>
<b>BAKFlip VP</b>	1 Year Limited Warranty	
<b>BAKFlip G2</b>	2 Year Limited Warranty	
<b>BAKFlip MX4</b>	3 Year Limited Warranty	
<b>BAKFlip HD</b>	2 Year Limited Warranty	
<b>BAKFlip FiberMax</b>	2 Year Limited Warranty	
<b>BAKFlip F1</b>	3 Year Limited Warranty	

BAK reserves the right to determine whether a product needs to be repaired or replaced. No labor or service allowance is given or implied. The warranty will be void if the product has been damaged by accident, unreasonable use, neglect, improper service/installation/removal, modifications, acts of God or normal wear and tear or other causes not arising out of defective materials or workmanship. BAK assumes no liability for injury, loss, incidental or consequential damages. BAK reserves the right to substitute an entire replacement system or provide other remedies than those listed in this warranty for discontinued products or other reasons. Shipping charges will apply for any repair or replacement.

BAK is committed to providing you with our best service at all times. Please feel free to contact us should you require any assistance with your BAK product.

## CARE AND MAINTENANCE

BAK Flip tonneaus are made from durable materials and require simple care to ensure a long life of performing well and looking great.

### BAK Flip G2, HD, MX4, Fibermax & F1

#### Cleaning the Top (Washing)

Standard automotive soap and water with a soft sponge or cloth is recommended for cleaning. Shabby dry to keep the finish polished and brilliant. Wax is NOT recommended as it tends to fill in cracks and crevices, which may affect the textured panel finish. Do NOT use any harsh cleaners or abrasives.

### BAKFlip VP

#### Cleaning the Top (Washing)

These stylish covers incorporate OE marine grade vinyl laminated on the top surfaces. Standard automotive soap and water used with a soft sponge or cloth is recommended for cleaning. Shabby dry to prevent water spots and ensure a rich dark finish.

#### Treating the Vinyl Top

3M 303 Aerospace Protectant may be used to keep the vinyl surface clean and protected from the elements and will also remove any water spots that may have developed. 303 Aerospace not only protects against fading, discoloration and cracking from harmful UV rays, but repels dust and stains. Simply spray on and wipe dry for a beautiful, matte finish that protects your cover from road grime and dust.

## All BAKFlip

### Maintenance

It is recommended that you periodically check your cover is securely attached to your truck bed. Inspect the clamps and front mounting bolts to ensure they were properly installed and have not come loose or knocked out of adjustment during operation. Covers that are used with high frequency or that are subject to the vibrations and impact from rough roadways can cause the cover to require adjustment.

#### Lubricating the Latches

It is recommended that you periodically inspect and service the latches on each panel. Clean away any excess dirt or grime and lubricate with silicone spray. Ensure the latches move freely in and out to properly engage the side rail and provide proper performance with optimum security. Be careful not to overspray the cover. Wipe away any excess around the latch location.

## ⚠️ IMPORTANT: READ FIRST ⚠️

Thank you for your recent purchase of a **BAKFlip Truck Bed Cover**, enclosed are both Spacer and Angle Shims to ensure a proper installation. Please refer to the guide on the back page to determine if your vehicle needs shims and where to position them.

### Tech Tip 1 (ANGLE SHIMS 6.25" x .5"):

Installing the BAKFlip rails square to the truck bed rail is the key to a successful installation. Please note:

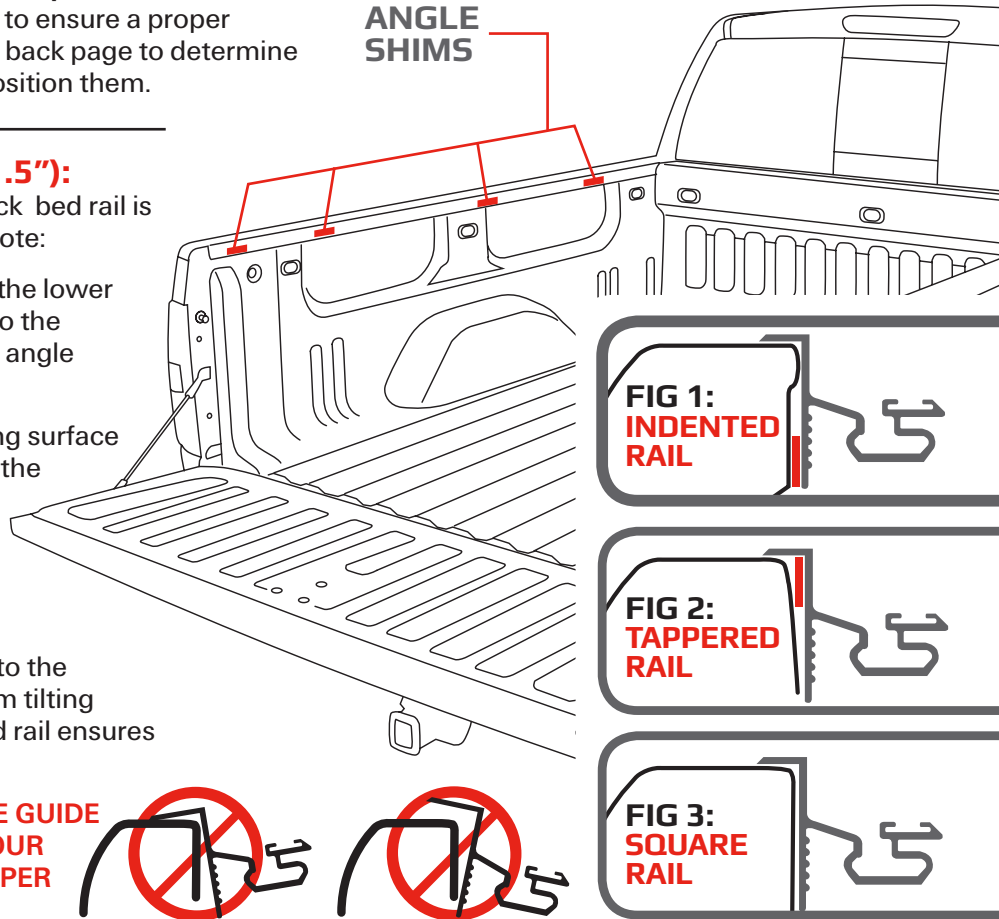
**FIG 1:** Some trucks have an indentation in the lower section of the bed rail (adding angle shims to the truck bed rail will be necessary). Position an angle shim at each clamp position.

**FIG 2:** Some trucks have a tapered clamping surface on the truck bed rail (adding angle shims to the truck bed rail will be necessary). Position an angle shim at each clamp position.

**FIG 3:** Some trucks have a square bed rail (no angle shims needed).

When needed, the angle shims are applied to the truck bed rail to prevent the BAKFlip rail from tilting when clamped in place. A squarely clamped rail ensures proper latching and sealing of the cover.

**\*SEE ILLUSTRATIONS AND REFER TO THE GUIDE ON THE BACK PAGE TO DETERMINE IF YOUR VEHICLE NEEDS ANGLE SHIMS AND PROPER PLACEMENT AS NEEDED.**



### Tech Tip 2 (SPACER SHIMS 72" X 1.5"):

If your BAKFlip came with Spacer Shims in the kit, you may need them.

Spacer Shims are included with BAKFlip rails to adjust how tight the cover will fit between the rail opening. These are typically included on trucks models that come standard with a painted bed rail and no plastic bed cap protectors.

**1** If you are installing the BAKFlip rails against a plain painted rail (or spray on liner) then you should apply the spacer shims to the vertical clamping surface of the BAKFlip rail before clamping to the truck (see Fig 4).

**2** If your truck has plastic bed cap protector then the spacer shims may not be necessary. Although, Spacer Shims may be used to adjust the cover to fit tighter in the opening. This can ensure latches engage the rail fully or to ensure a more watertight installation.

**3** If the cover will not rest in the opening on the BAKFlip rails, then remove one or both Spacer Shims accordingly. Spray on liners may only require removing the spacer shim on one side which will not affect appearance or operation.

**\*REFER TO THE GUIDE ON THE BACK PAGE TO DETERMINE IF YOUR VEHICLE NEEDS SPACER SHIMS.**



**FIG 4:**  
SPACER SHIM



# SPACING & SHIMMING SHEET



YEAR	MODEL DESCRIPTION	DOES MY COVER NEED ANGLE SHIMS?	WHERE DO I POSITION THEM?	DO MY RAILS NEED SPACER SHIMS?
------	-------------------	---------------------------------	---------------------------	--------------------------------

## CHEVY / GMC /CADILLAC

88 - 98	C/K (All Bed Sizes)	Yes	Flush With Bottom Edge On Truck Rail	Yes - Only On Trucks With Painted Rails
99 - 06	Silverado/Sierra (6' 6" & 8' Bed Sizes)	Yes	Flush With Bottom Edge On Truck Rail	Yes - Only On Trucks With Painted Rails
04 - 06	Silverado/Sierra Crew Cab (5' 8" Bed Size)	Yes	Flush With Bottom Edge On Truck Rail - Under OEM Bed Cap	No
07 - 13	Silverado/Sierra (Also: 2014 HD models)	Yes	Flush With Bottom Edge On Truck Rail	Yes - Only On Trucks With Painted Rails
14 - 16	Silverado, Sierra	No	—	No
93 - 04	S-10, Sonoma	Yes	Flush With Bottom Edge On Truck Rail	Yes - Only On Trucks With Painted Rails
04 - 13	Colorado, Canyon	Yes	Flush With Bottom Edge On Truck Rail	Yes - Only On Trucks With Painted Rails
15 - 16	Colorado, Canyon	Yes	Flush With Bottom Edge On Truck Rail - Under OEM Bed Cap	No
02 - 13	Avalanche, Escalade EXT	No	—	No

## DODGE/RAM

94 - 01	Ram	Yes	Flush With Bottom Edge On Truck Rail	Yes - Only On Trucks With Painted Rails
02 - 08	Ram	Yes	Flush With Top Edge On Truck Rail	Yes - Only On Trucks With Painted Rails
09 - 16	Ram (w/o Ram Box Cargo Mgmt)	Yes	Flush With Top Edge On Truck Rail	No
99 - 11	Dakota	No	—	Yes - Only On Trucks With Painted Rails

## FORD

97 - 14	F-150	Yes	Flush With Top Edge On Truck Rail - Pre-applied at Factory	No
15 - 16	F-150	Yes	Flush With Top Edge On Truck Rail - Pre-applied at Factory	No
2017	Super Duty	Yes	Flush With Top Edge On Truck Rail	No
99 - 16	Super Duty	No	—	No
93 - 11	Ranger	Yes	Flush With Bottom Edge On Truck Rail	Yes - Only On Trucks With Painted Rails
06 - 13	Sports Trac	No	—	No

## HONDA

05 - 15	Ridgeline	No	—	No
---------	-----------	----	---	----

## NISSAN

00 - 04	Frontier	No	—	Yes - Only On Trucks With Painted Rails
05 - 16	Frontier	No	—	Yes - Only On Trucks With Painted Rails
2016	Titan XD	Yes	Flush With Top Edge On Truck Rail	No
04 - 15	Titan	No	—	No

## TOYOTA

96 - 04	Tacoma	No	—	Yes - Only On Trucks With Painted Rails
05 - 16	Tacoma	No	—	No
00 - 06	Tundra	No	—	No
07 - 16	Tundra	Yes	Flush With Top Edge On Truck Rail	No



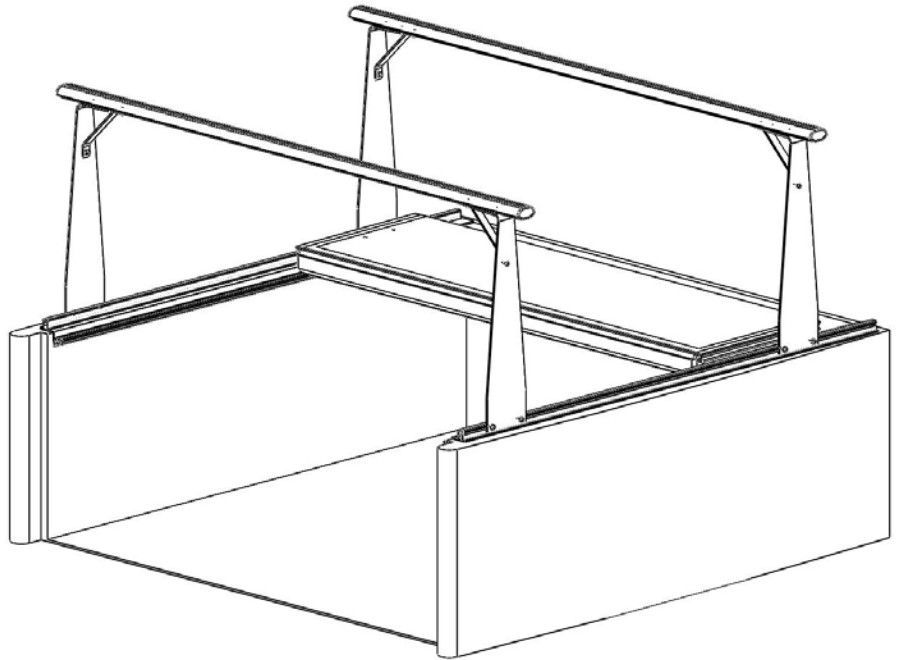




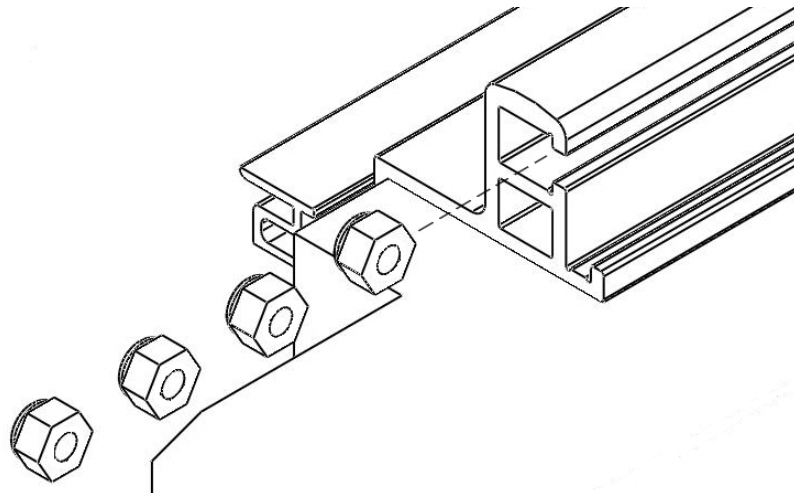
# FOLDING TONNEAU RACK

## Package Contents

- (2) Load Bars
- (4) Load Bar End Caps
- (4) 1/4-20 x 9/16" Narrow Shoulder Hex Head Screw
- (28) 1/4 Flat Washers
- (24) 1/4 Split Lock Washers
- (20) 1/4-20 x 3/4" long Button Head Screws
- (4) 1/4-20 x 1" long Button Head Screws
- (10) 1/4-20 Nylon Insert Lock Nuts
- (4) Backing Plates
- (4) Uprights
- (4) Gussets
- (4) Gusset Backing Plates
- (1) Hex Key Wrench



## 1. Rack Rail Assembly

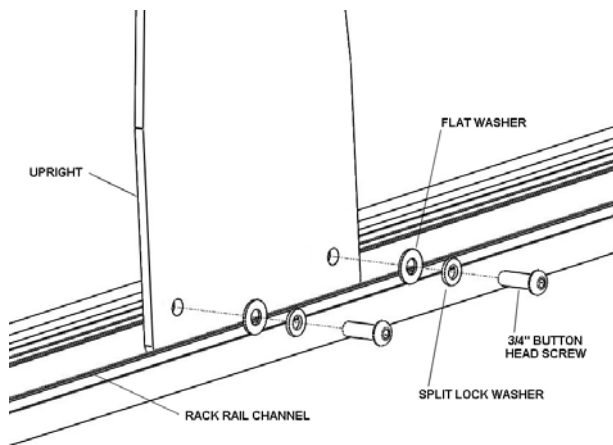


Orientate the 1/4-20 nylon insert lock nut so the nylon end faces into the nut channel of the rack rail.

Slide all four nuts into the nut channel using this orientation.

Repeat for other rack rail.

## 2. Upright Installation



Position the nylon insert lock nuts inserted the step above so that they are placed 2.5" apart. Make sure that the nylon portion of nut is facing inward toward the truck bed.

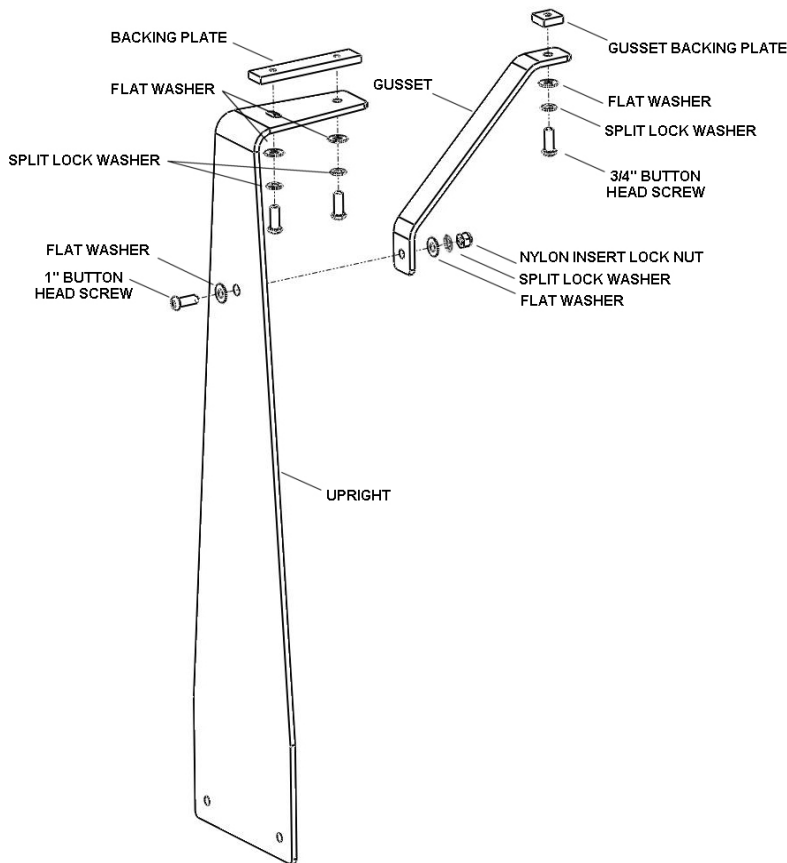
Orientate the uprights so that the top surfaces face into the truck bed and slide the uprights into the channel and position so that the lower holes line up with the nylon insert lock nuts.

Assemble the upright to the channel with the 1/4-20 x 3/4" button head screw, lock washer and flat washer. Repeat for three remaining uprights.

## 3. Upright assembly

Assemble the upright as shown below by threading the 1/4-20 x 3/4" button head screws so the backing plates are held in place, allowing a gap between the uprights and backing plates.

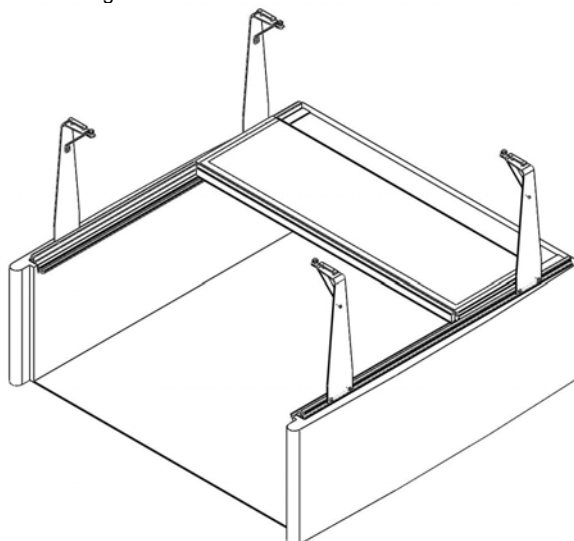
Repeat for gussets and gusset backing plates.



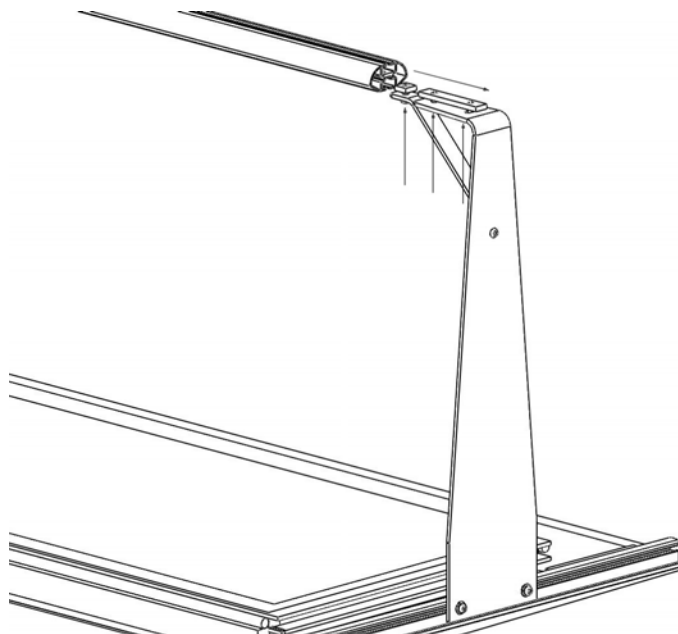
#### 4. Upright Positioning

Position the upright so that one pair is lined up in the forward part of the truck bed and one pair is lined up in the rear portion of the truck bed.

For best results, use a tape measure for accurate alignment.



#### 5. Rack assembly 1



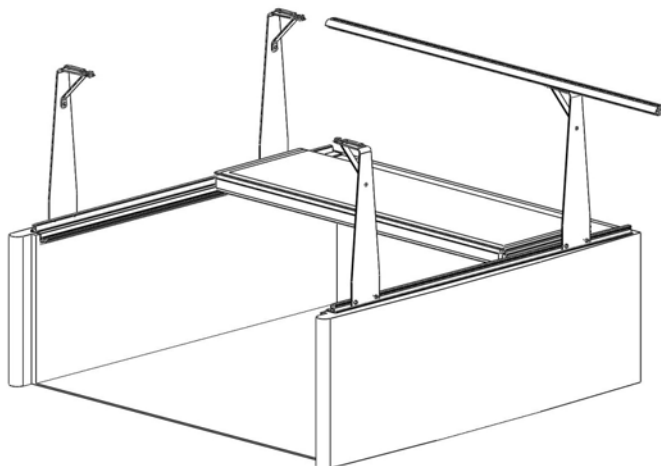
Orientate the crossbar so the flat side is facing down.

Start with the crossbar closest to the cab. Lift the backing plates up by pressing upwards on the  $\frac{3}{4}$ " button head screws.

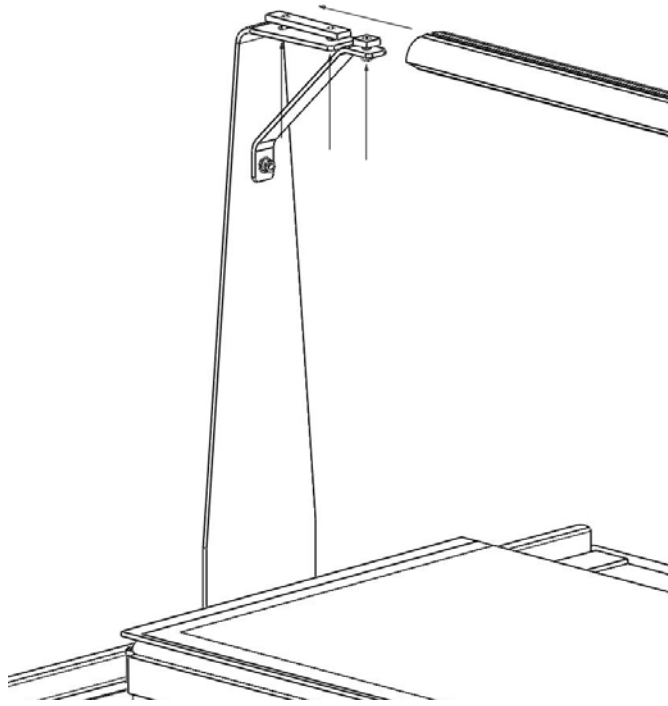
Slide the crossbar so the backing plates slide into the lower channel of the crossbar.

#### 6. Rack Assembly 2

Continue to slide the load bar through the upright assembly until the load bar is at the opposite upright assembly.



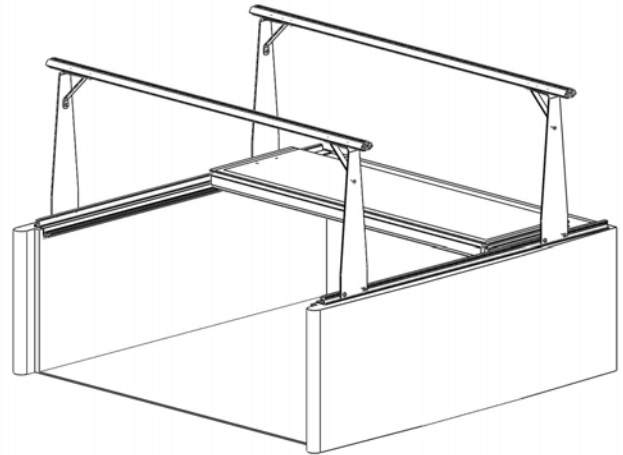
### 7. Rack assembly 3



Lift the backing plates up by pressing upwards on the  $\frac{3}{4}$ " button head screws.

Slide the crossbar so the backing plates slide into the lower channel of the crossbar.

### 8. Rack assembly 4



Move the crossbars and uprights to the desired position on the truck bed.

Using the hex key wrench, tighten the lower  $\frac{3}{4}$ " button head screws on the upright.

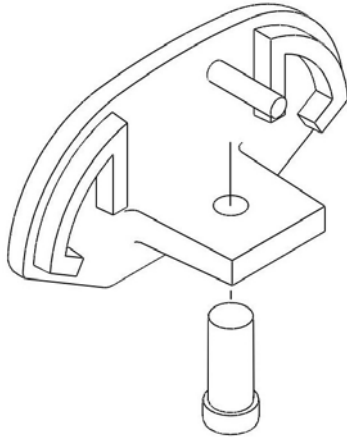
Center the crossbar between the uprights as needed.

Unbolt the lower gusset mounting hardware and move the gusset aside.

Using the hex key wrench, tighten the upper  $\frac{3}{4}$ " button head screws of the upright to secure the crossbar.

Using the hex key wrench and  $\frac{7}{16}$ " wrench and tighten lower gusset 1" button bolt head screw and nut.

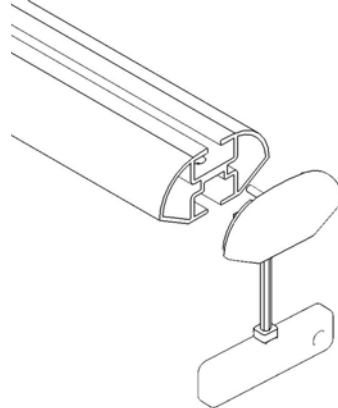
### 9. Crossbar End cap assembly



Screw the  $\frac{1}{4}$ -20 x  $\frac{9}{16}$ " narrow shoulder screw partially into the end cap as shown.

Repeat for remaining end caps.

### 10. Installing End Caps



Slide the end cap into the end of the crossbar.

Tighten the  $\frac{1}{4}$ -20 x  $\frac{9}{16}$ " narrow shoulder screw so that it goes through hole located on the end of the crossbar.

**DO NOT OVER TIGHTEN SCREW.**

Repeat for other end of crossbar.

## PRO RAC GUIDELINES

Please review the instructions and warranty carefully. Assembly and installation are the purchaser's responsibility and beyond ProRac's control. Therefore, ProRac exclusively limits its warranty to the repair or replacement of a defective ProRac product for up to three years from retail purchase. Warranty excludes damage to your vehicle, cargo, or any person or property during assembly, installation, and use.

- ◆ Do not carry more than **500 pounds of combined cargo and accessories** on ProRac load bars. ProRac load bars and rails do not increase the bed rail strength. ProRac cannot warranty loads that exceed this limit.
- ◆ Do not use ProRac load bars and accessories for purposes other than those for which they were designed. Do not exceed their carrying capacity. Failure to follow these guidelines or the product instructions will void the warranty.
- ◆ Make sure all knobs, bolts, screws, straps, and locks are firmly attached, tightened, and locked before every trip. All fasteners must be periodically inspected for signs of wear, corrosion, and fatigue. Check your load at stops during long trips to ensure continued fastening security.
- ◆ Check all local and state laws governing projection of objects beyond the width and length of vehicle. Be aware of the width and height of your cargo since low-clearance branches, bridges, and parking garages can affect the load. Never drive with any lock, knob, or rack in an open or unlocked position. All long loads such as, but not limited to, sailboards, surfboards, kayaks, canoes, and lumber must be tied down front and rear to the bumpers or tow hooks of the vehicle.
- ◆ Remove your rack and accessories when they are not in use and before entering automatic car washes.
- ◆ All locks must be turned and moved periodically to ensure smooth operation. Use graphite or similar dry lubricant. Locks are designed to deter vandalism and theft. Remove valuable gear if your vehicle is unattended. Replacement keys are available only through your ProRac dealer.
- ◆ All cargo will affect the vehicle's driving behavior. For your safety, adapt your speed to the conditions of the road and load being carried. Obey all posted speed limits and traffic cautions.
- ◆ Due to their wind resistance, do not carry disks or wheels with covers on the ProRac bike carrier.
- ◆ Consult your ProRac dealer if you have questions regarding the operation and limits of ProRac products. Review all instructions and warranty information carefully.

© 2013 ProRac Systems, Inc.

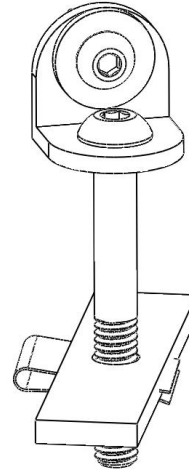
FTR1000- IS  
Revised 6-17-13



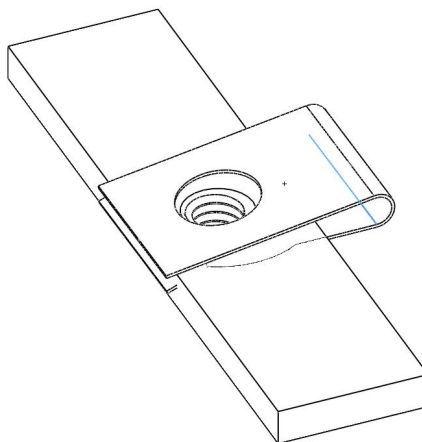
# FOLDING TONNEAU RACK STABILIZER KIT

## Package Contents

- (4) Stabilizer Brackets
- (4) Stake Pocket Plates
- (4) Threaded Clips
- (4) 5/16-18 X 2 1/4 Button Head Screws
- (4) 1/4 Split Lock Washers
- (4) 1/4-20 x 3/4" long Button Head Screws
- (4) 1/4-20 X 1" long Button Head Screws
- (4) 1/4 Nylon Insert Lock Nuts
- (4) 1/4 Flat Washer

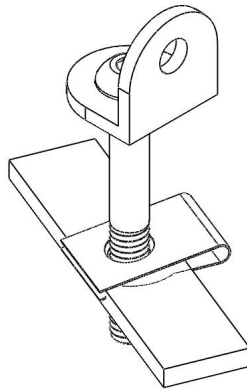


## 1. Threaded Clip Assembly



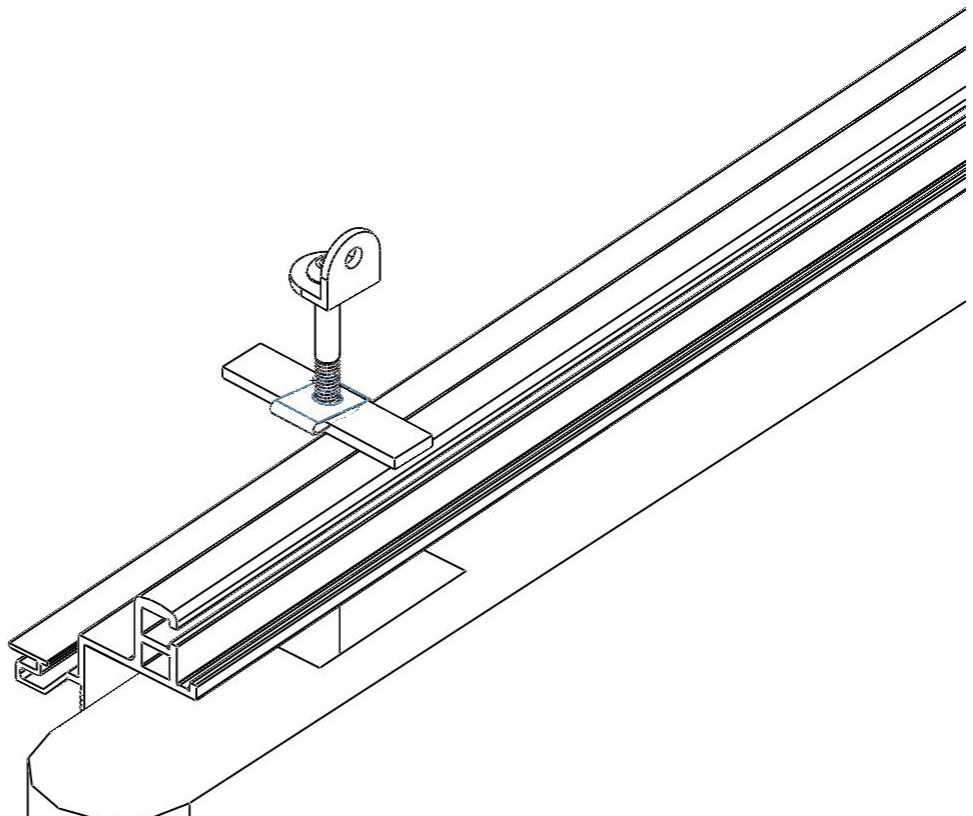
## 2. Bracket, Bolt, and Plate Assembly

Assemble as shown below using the 5/16 Button Head Screw. Make certain the threaded barrel on clip is facing downward.



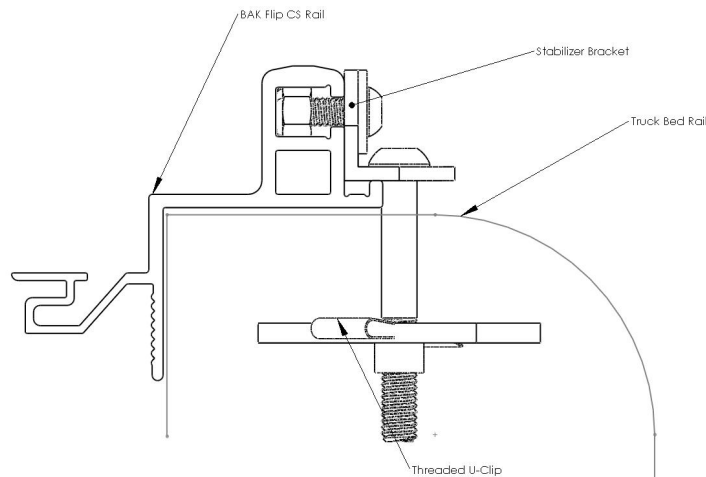
## 3. Insert Assembly into Stake Pocket Hole

Insert the assembly in to the stake pocket hole by positioning the plate with threaded clip into the stake pocket hole.



#### 4. Bracket Positioning

Position the Stabilizer Bracket as shown below. Utilizing the 1/4-20 X3/4" button head screw as the horizontal fastener. 1/4-20 X 1" button head screws are supplied as well if you choose to mount on the upright itself.



#### 5. Tighten all Hardware

Tighten all hardware.

#### PRO RAC GUIDELINES

Please review the instructions and warranty carefully. Assembly and installation are the purchaser's responsibility and beyond ProRac's control. Therefore, ProRac exclusively limits its warranty to the repair or replacement of a defective ProRac product for up to three years from retail purchase. Warranty excludes damage to your vehicle, cargo, or any person or property during assembly, installation, and use.

- ◆ Do not carry more than **500 pounds of combined cargo and accessories** on ProRac load bars. ProRac load bars and rails do not increase the bed rail strength. ProRac cannot warranty loads that exceed this limit.
- ◆ Do not use ProRac load bars and accessories for purposes other than those for which they were designed. Do not exceed their carrying capacity. Failure to follow these guidelines or the product instructions will void the warranty.
- ◆ Make sure all knobs, bolts, screws, straps, and locks are firmly attached, tightened, and locked before every trip. All fasteners must be periodically inspected for signs of wear, corrosion, and fatigue. Check your load at stops during long trips to ensure continued fastening security.
- ◆ Check all local and state laws governing projection of objects beyond the width and length of vehicle. Be aware of the width and height of your cargo since low-clearance branches, bridges, and parking garages can affect the load. Never drive with any lock, knob, or rack in an open or unlocked position. All long loads such as, but not limited to, sailboards, surfboards, kayaks, canoes, and lumber must be tied down front and rear to the bumpers or tow hooks of the vehicle.
- ◆ Remove your rack and accessories when they are not in use and before entering automatic car washes.
- ◆ All locks must be turned and moved periodically to ensure smooth operation. Use graphite or similar dry lubricant. Locks are designed to deter vandalism and theft. Remove valuable gear if your vehicle is unattended. Replacement keys are available only through your ProRac dealer.
- ◆ All cargo will affect the vehicle's driving behavior. For your safety, adapt your speed to the conditions of the road and load being carried. Obey all posted speed limits and traffic cautions.
- ◆ Due to their wind resistance, do not carry disks or wheels with covers on the ProRac bike carrier.
- ◆ Consult your ProRac dealer if you have questions regarding the operation and limits of ProRac products. Review all instructions and warranty information carefully.

© 2015 ProRac Systems, Inc.

FTR040- IS  
Revised 7-1-15