

BAKflip

BEST-SELLING HARD FOLDING COVER

SUPPLEMENTAL INSTALL SHEET Cab Bumper Install

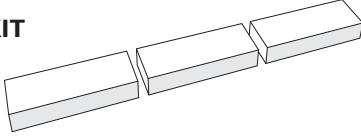
Any damaged or missing parts?

Parts will be shipped to you directly. Call 818-365-9000

Mon - Fri 8:30 am - 7:00 pm EST or email support@bakindustries.com

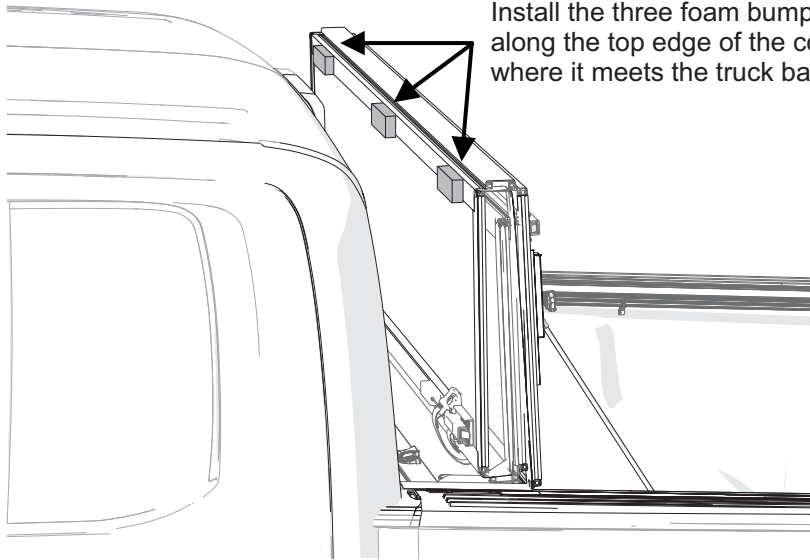
PARTS INCLUDED IN THE KIT

- Three adhesive-backed rectangular foam bumpers



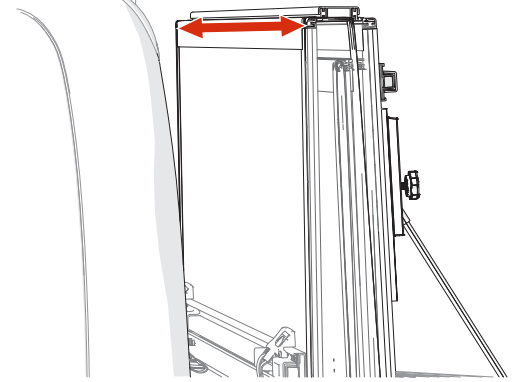
TOOLS REQUIRED

- Soap and water
- Cleaning cloth
- Isopropyl alcohol



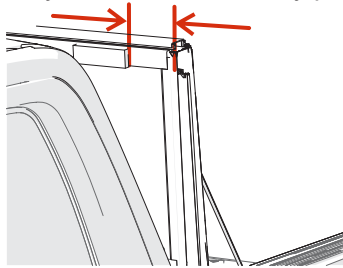
Install the three foam bumpers along the top edge of the cover where it meets the truck back glass.

1 Clean the surface where the bumpers will be placed with soap and water to remove dirt and debris. Then clean the same areas with isopropyl alcohol to remove wax or grease and to evaporate any remaining water. Allow the surface to dry.

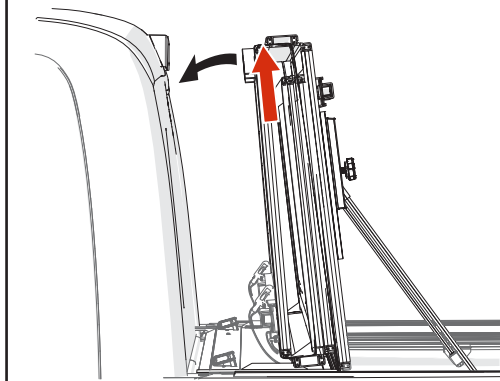


2 Remove the backing and adhere the three bumpers to the top edge of the bed cover where it contacts the truck glass. Apply pressure to the entire bumper to make sure the adhesion is good.

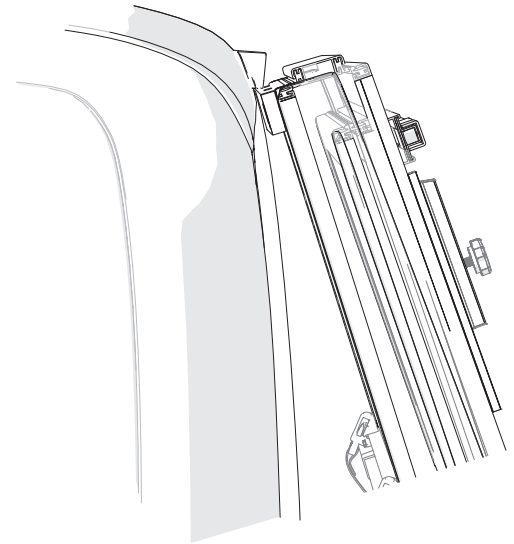
The foam bumpers must be placed 3.5 - 4" (90-100mm) from the edge of the panel and touch off on the glass surface only. They should not touch any painted surface.



Position the foam bumpers flush with the top edge of the cover where it meets the back glass.



After placing the bumpers, slowly lean the cover against the cab and visually inspect for proper placement. Verify that only the bumper is contacting the truck glass, or adjust accordingly.



CAUTION: Improperly locating the foam blocks could cause paint damage. Lost or missing bumpers should be replaced as damage could occur.