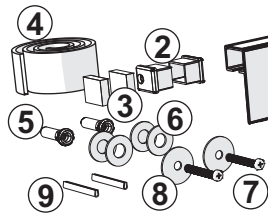


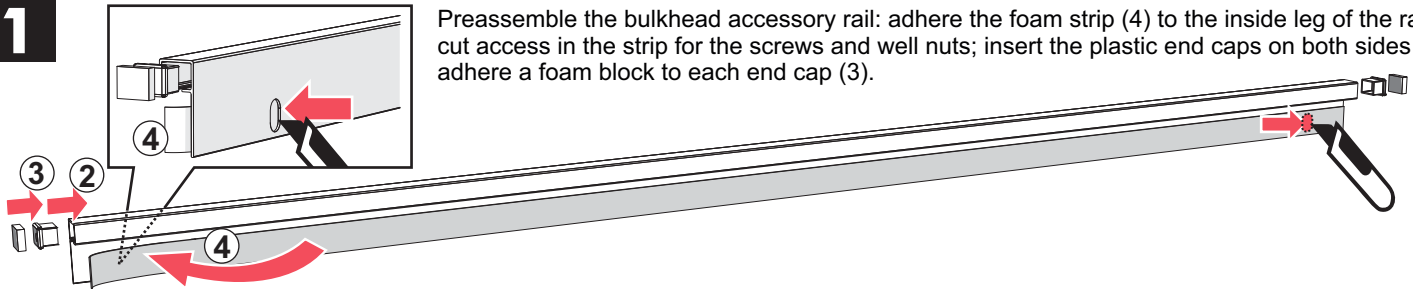
RANGER BULKHEAD ACCESSORY RAIL

Install before bed cover

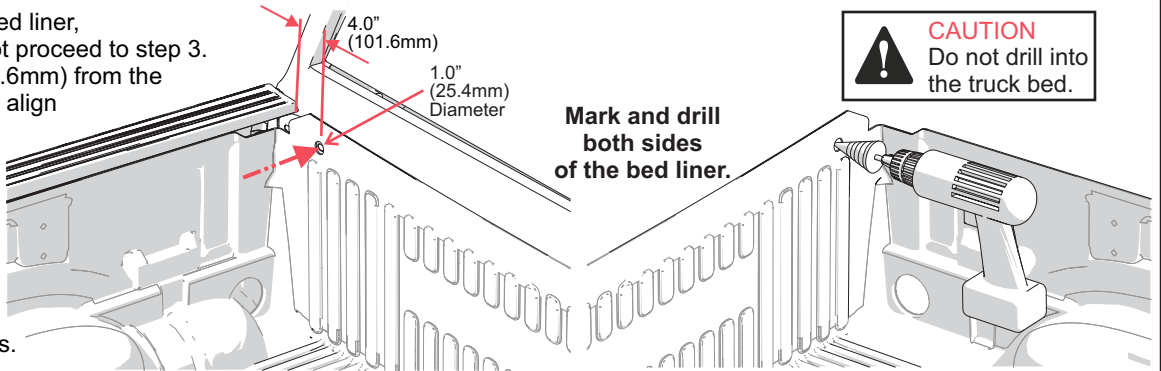
- ① Accessory Rail (1x)
- ② End Cap (2x)
- ③ Foam Block (2x)
- ④ Foam Seal (1x roll)
- ⑤ Well Nut (2x)
- ⑥ Washer (4x)
- ⑦ Screw (2x)
- ⑧ Fender Washer (2x)
- ⑨ Bed Rail Clip (2x)



1 Preassemble the bulkhead accessory rail: adhere the foam strip (4) to the inside leg of the rail, cut access in the strip for the screws and well nuts; insert the plastic end caps on both sides (2); adhere a foam block to each end cap (3).

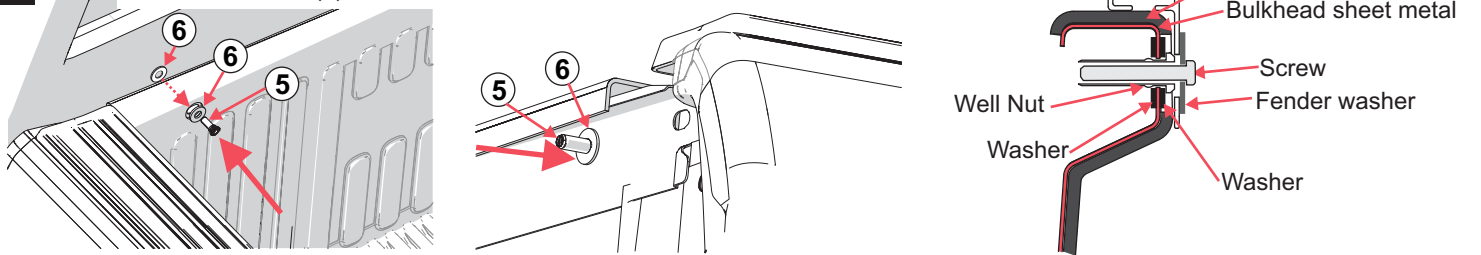


- 2 If the truck has a drop-in bed liner, drill two access holes, if not proceed to step 3. Measure and mark 4" (101.6mm) from the inside edge of the bed and align with the hole in the truck's bulkhead. Drill a 1.0" (25.4mm) hole through the plastic liner, one on each side.



Replace the liner per the liner installation instructions.

- 3 Slide a well nut (5) into a washer (6) and both into the hole in the bulkhead sheet metal. Slide the washer (6) onto the well nut from behind. Do this for both sides of the bed.



- 4 Place the accessory rail onto the truck bulkhead, attach with the fender washer (8) and 10-32 screws (7) threaded into the well nuts, one on both sides of the bed. Position the rail to be level with the truck bed caps. Tighten the screws until the rail does not move.

