

# INSTALLATION INSTRUCTIONS

## CUSTOMER SERVICE

Phone: 818-365-9000 • MON - FRI 8:30 am - 6:00 pm EST

Email: [SUPPORT@BAKINDUSTRIES.COM](mailto:SUPPORT@BAKINDUSTRIES.COM)

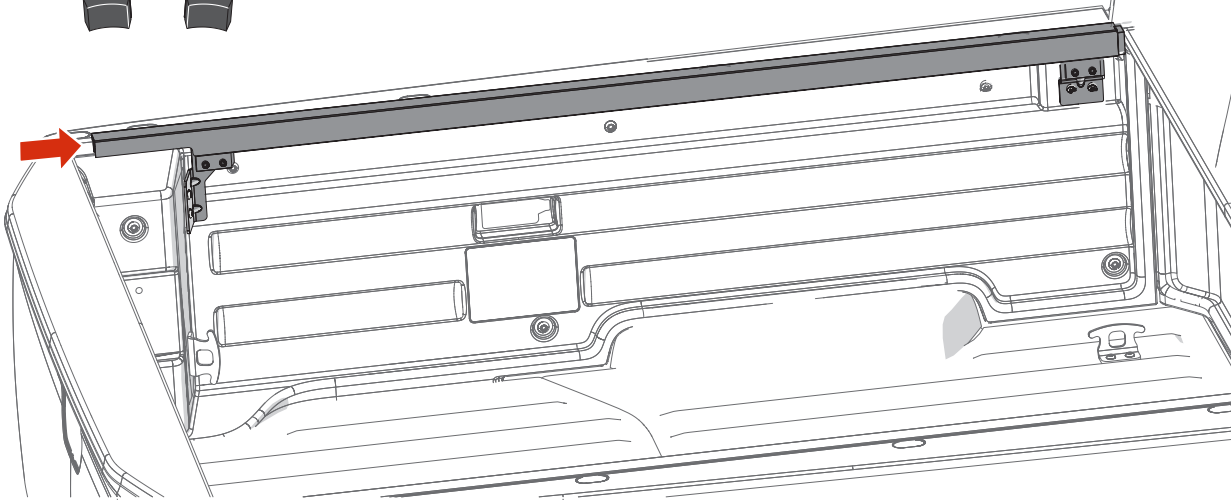


# IMPORTANT

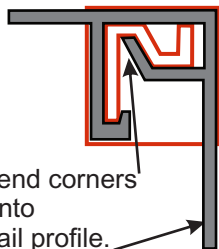


## install before truck bed cover

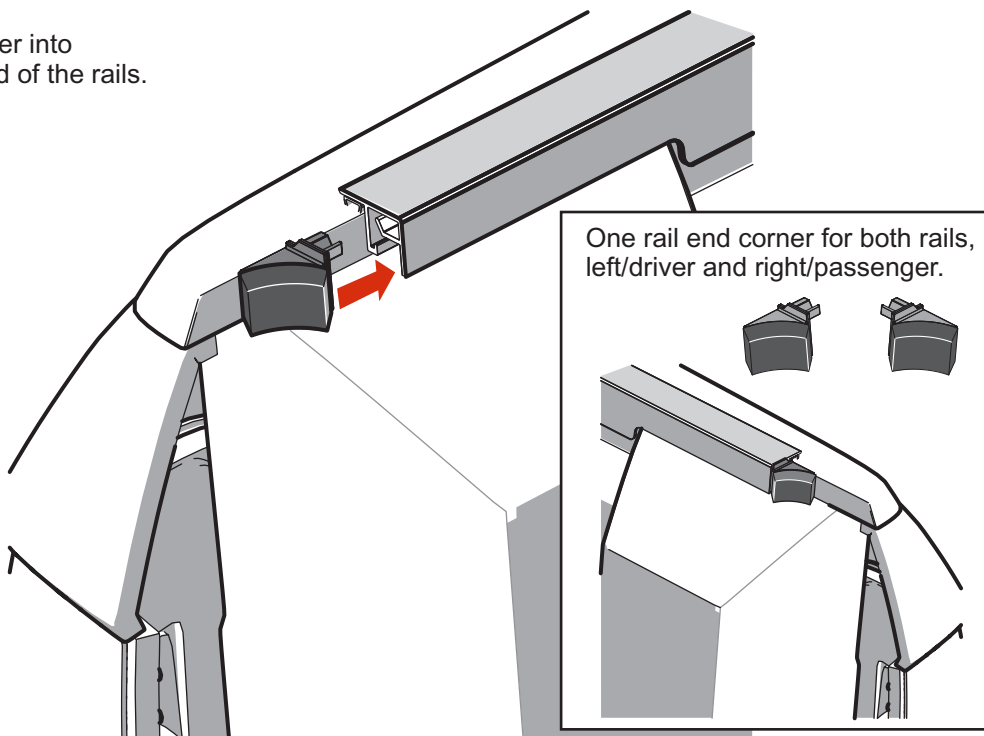
- 1** First install the universal rails per the SUPPLEMENT TO TONNEAU INSTALLATION INSTRUCTIONS 31830004-30. This sheet will then cover the installation of rear (tailgate) rail end corners.



- 2** Insert a rail end corner into the rear (tailgate) end of the rails.



The end corners key into the rail profile.



One rail end corner for both rails, left/driver and right/passenger.

