

INSTALLATION INSTRUCTIONS

CUSTOMER SERVICE

Phone: 818-365-9000 • MON - FRI 8:30 am - 6:00 pm EST

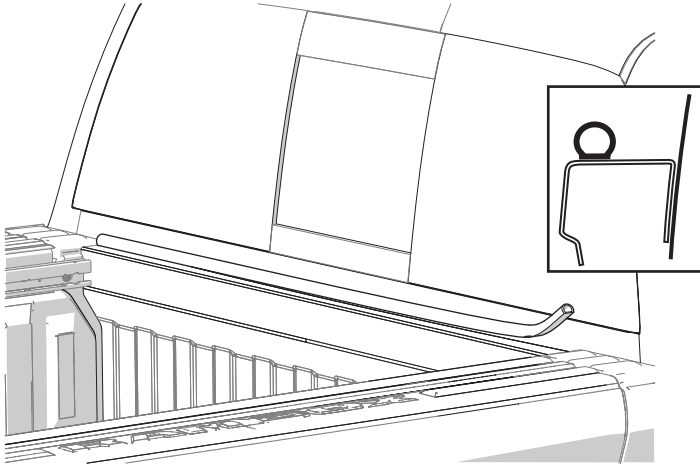
Email: SUPPORT@BAKINDUSTRIES.COM



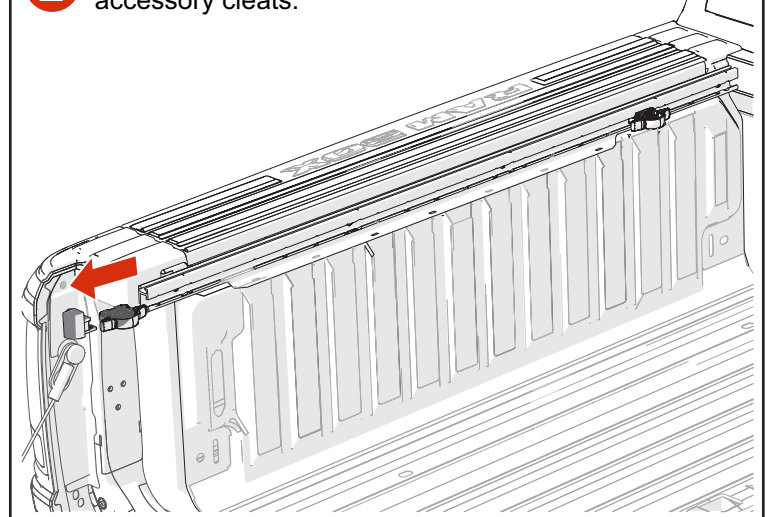
IMPORTANT: READ FIRST



- 1** Install the large D shaped seal to the top of the bulkhead at the edge of the bed opening.



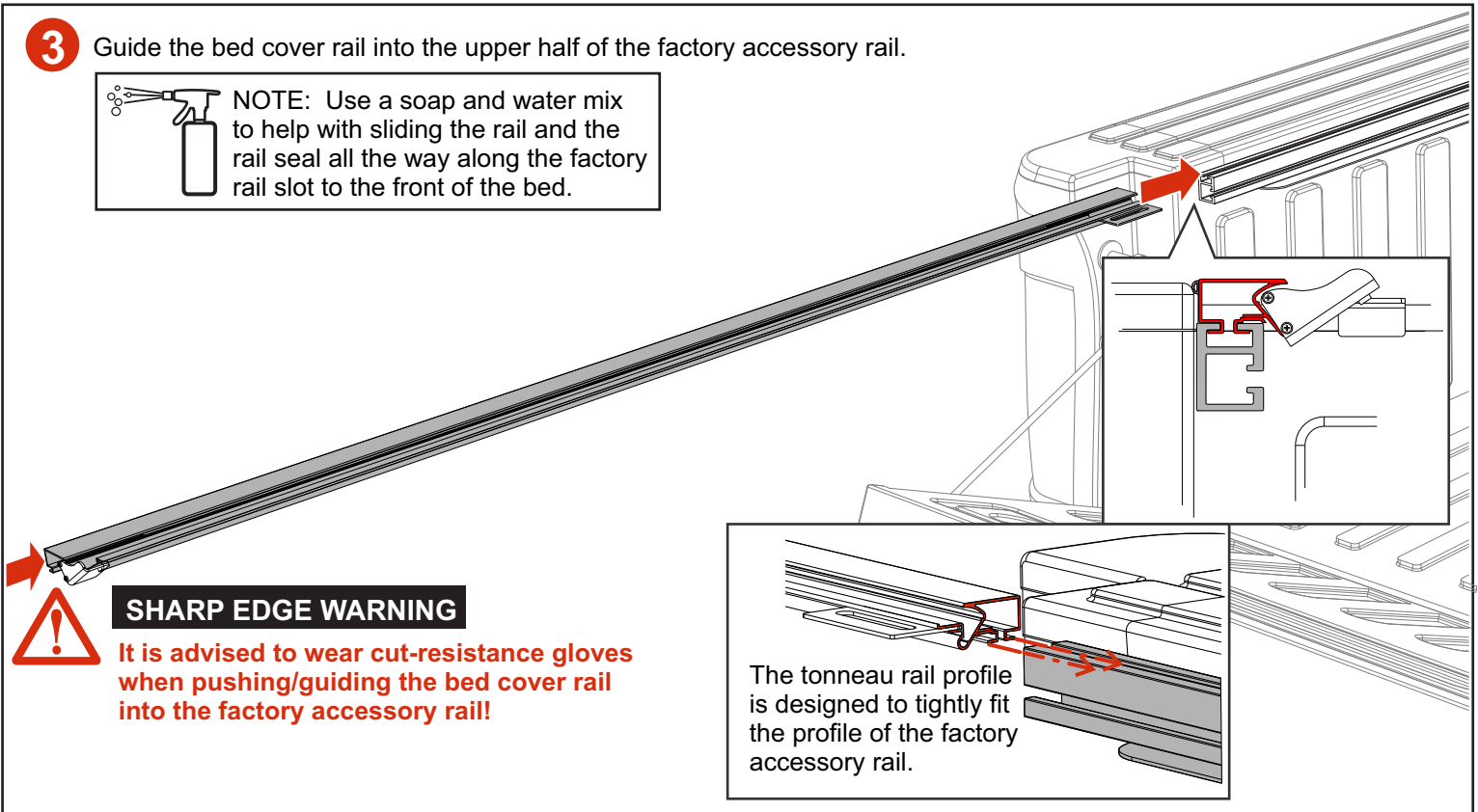
- 2** Remove the factory accessory rail end cap, and any accessory cleats.



- 3** Guide the bed cover rail into the upper half of the factory accessory rail.



NOTE: Use a soap and water mix to help with sliding the rail and the rail seal all the way along the factory rail slot to the front of the bed.



SHARP EDGE WARNING

It is advised to wear cut-resistance gloves when pushing/guiding the bed cover rail into the factory accessory rail!

The tonneau rail profile is designed to tightly fit the profile of the factory accessory rail.

Steps 2 through 6 are required and repeated on both sides.

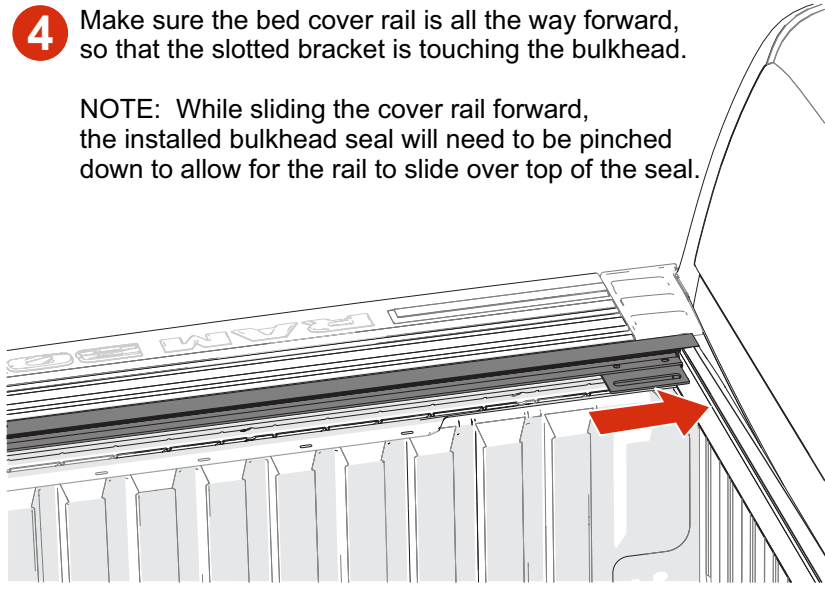


IMPORTANT: READ FIRST



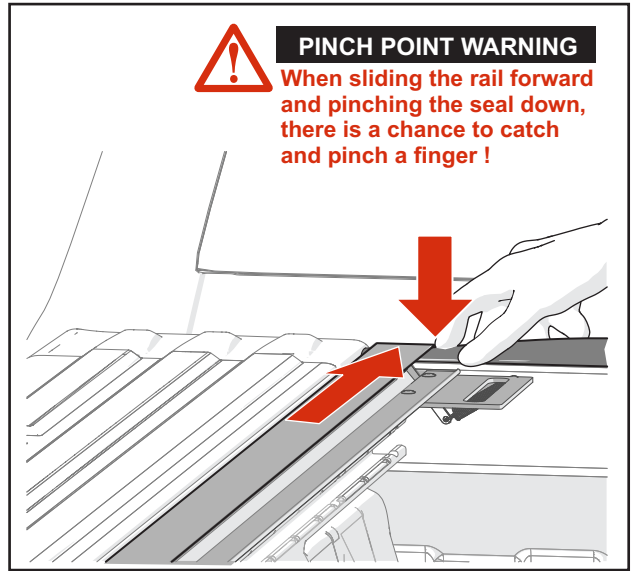
- 4** Make sure the bed cover rail is all the way forward, so that the slotted bracket is touching the bulkhead.

NOTE: While sliding the cover rail forward, the installed bulkhead seal will need to be pinched down to allow for the rail to slide over top of the seal.

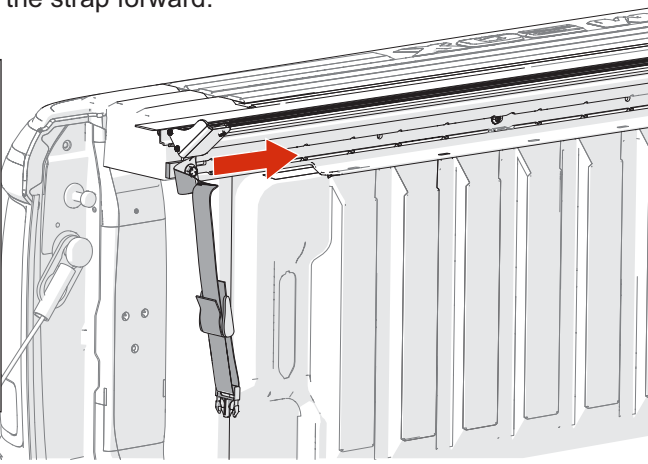
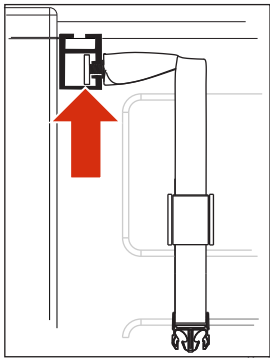


PINCH POINT WARNING

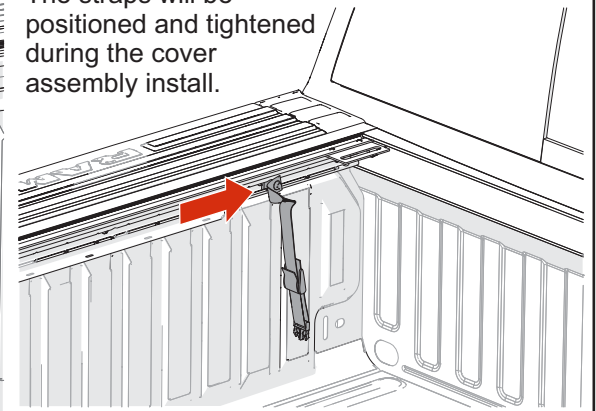
When sliding the rail forward and pinching the seal down, there is a chance to catch and pinch a finger!



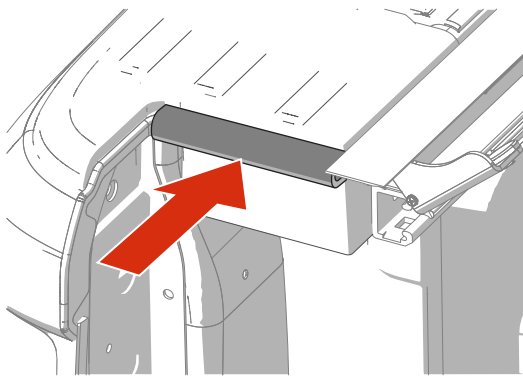
- 5** Insert the block of the retainer strap assembly into the factory cargo rail. Slide the strap forward.



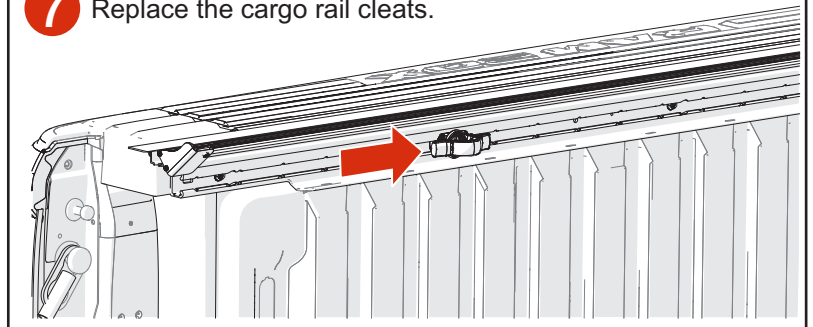
The straps will be positioned and tightened during the cover assembly install.



- 6** Adhere the small D shaped seal to the top, inside edge of the Ram Box rail.



- 7** Replace the cargo rail cleats.



Return to Step 8 of the standard install sheet