

INSTALLATION INSTRUCTIONS

CUSTOMER SERVICE

Phone: 818-365-9000 • MON - FRI 8:30 am - 6:00 pm EST

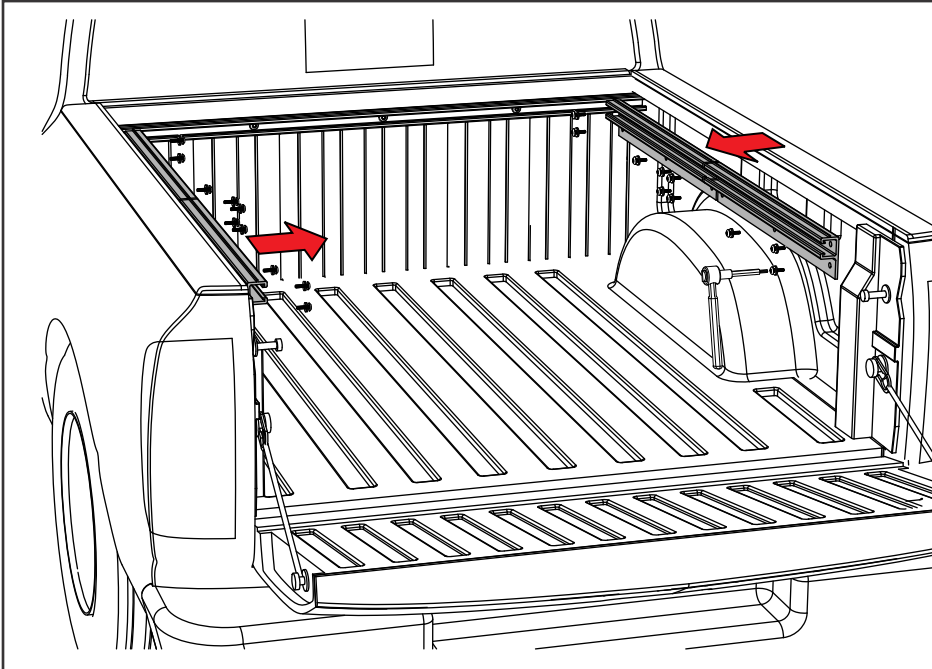
Email: SUPPORT@BAKINDUSTRIES.COM

SUPPLEMENTAL INSTALL SHEET

Nissan Titan Utili-Track System Channel Adjustment



IMPORTANT: READ FIRST



1

Remove the factory channels from the bed sides, 2 rails on each side with 5 bolts each, T-30 Torx head bolts.

2

Rotate the channels 180 degrees as shown, remount the rails using the same holes and hardware.

NOTE: the center bolt on each rail is not used.

